



Кому:

Куда:

**W350**

Max Flow: 50 gpm (190 lpm)



W350 In-Line Cartridge Filters

Working Pressures to: 3000 *psi*
21,000 *kPa*
210 *bar*

Rated Static Burst to: 7500 *psi*
51,700 *kPa*
517 *bar*

Fatigue Pressure Rating: 1500 *psi*
10,000 *kPa*
100 *bar*

Flow Range to: 50 *gpm*
190 *lpm*



Features

The W350 T-type ported series offers flows to 50 gpm (190 lpm) with 3 bypass options and conforms to the HF3 automotive standard. Our standard housing drain plug helps relieve system pressure during filter changeouts. DT 4-layer media is offered in a variety of designs. Five different media grades are offered. Donaldson filters core collapse options range from 150 to 3,000 psi (10 to 210 bar). The differential pressure indicator line is designed to work with the wide assortment of bypass valves. Thermal lockout and surge control are two key features available in the differential indicators.

- Conforms to HF3 specifications
- High collapse filter available for use with non-bypass applications
- Wide range of indicator options
- Two housing length options for design flexibility
- Head material: cast iron
- Housing material: steel
- Drain plug in housing
- Bleed plug in head

Beta Rating

- Performance to $\beta_{<4(c)}=1000$

Porting Size Options

- SAE-12, -16 O-ring

Assembly Weight

- 4": 20 lbs / 9.07 kg
- 8": 26 lbs / 11.79 kg

Replacement Filter Lengths

- 4.59" / 116.7mm
- 8.22" / 208.8mm

Standard Bypass Ratings

- 90 *psi* / 621 *kPa* / 6.2 *bar*
- 50 *psi* / 345 *kPa* / 3.5 *bar*
- No Bypass

Operating Temperatures

- -20° to 250°F (-29° to 121°C)

Filter Collapse Ratings

- 150 *psi* / 1034 *kPa* / 10.3 *bar* (standard)
- 3000 *psi* / 20,700 *kPa* / 206.8 *bar* (high collapse)



Кому:

Куда:



W350

Max Flow: 50 gpm (190 lpm)



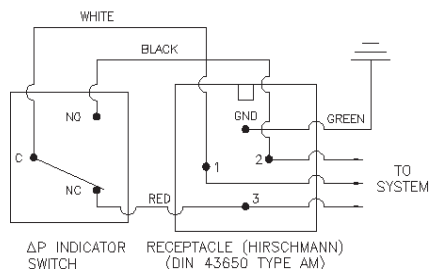
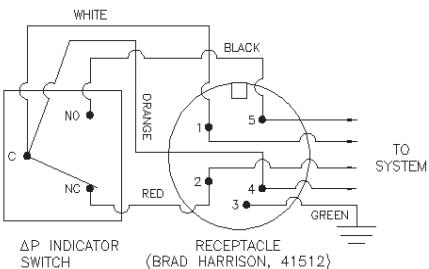
HIGH PRESSURE FILTERS

W350 Specification Illustrations

All dimensions are shown in millimeters [inches].

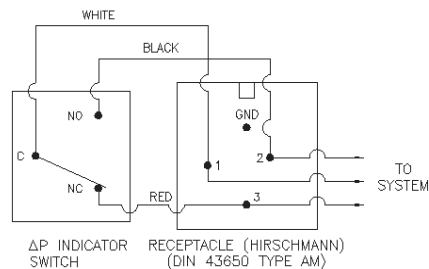
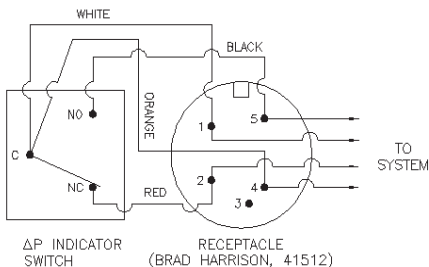
Indicator Switch Schematic Wiring Diagram

Aluminum Electrical Housings



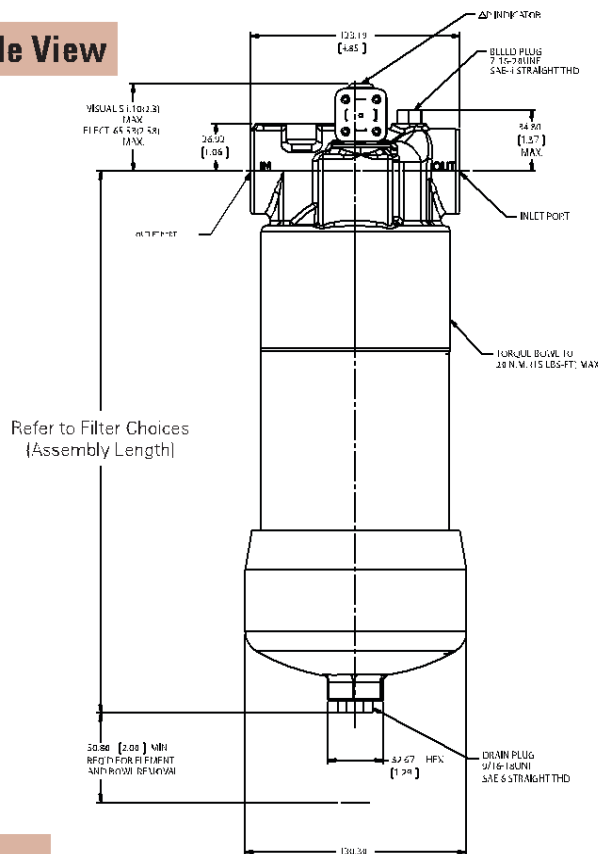
Note: The female plug (connector) is to be furnished by customer.

Plastic Electrical Housings

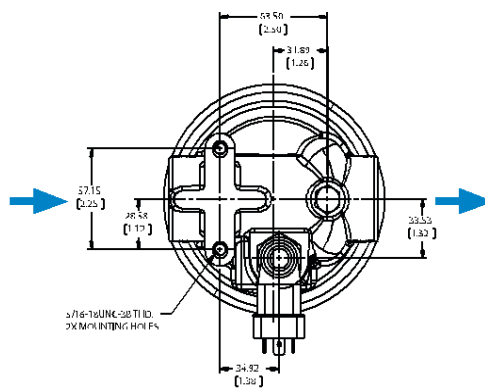


Note: The female plug (connector) is to be furnished by customer.

Assembly - Side View



Head - Top View



Differential Indicators:

Indicators are designed to actuate at approximately 80% of bypass valve cracking pressure. It is recommended that an indicator with a bypass setting of 100 psid is used with a non-bypass housing.

Surge Control:

This optional feature is used to dampen pressure surges or spikes to avoid premature actuation of the indicator. Surge control delays the indicator response.

Thermal Lockout:

The Thermal Lockout prevents premature signaling of a bypass condition created by viscous fluid during cold start-ups. Normal indicator actuation capability is resumed once the operating temperature of the fluid reaches approximately 80°F / 27°C.



Кому:

Куда:



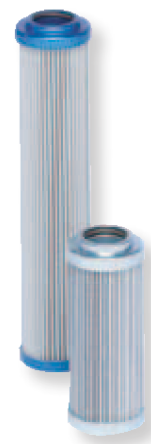
W350

Max Flow: 50 gpm (190 lpm)



W350 Components High-Performance DT Filter Choices

Media Number	Beta _{0.1} =1000 Rating	Length (in./mm)	Donaldson DT Part No.	Comments
2 μm	<4 μm	4/116.7	P566204	DT-9600-4-2UM
5 μm	5 μm	4/116.7	P566205	DT-9600-4-5UM
8 μm	8 μm	4/116.7	P566206	DT-9600-4-8UM
14 μm	14 μm	4/116.7	P566207	DT-9600-4-14UM
25 μm	25 μm	4/116.7	P566208	DT-9600-4-25UM
5 μm	5 μm	4/116	P566364	DT-9601-4-5UM, High collapse
14 μm	14 μm	4/116	P566365	DT-9601-4-14UM, High collapse
2 μm	<4 μm	8/208.8	P566209	DT-9600-8-2UM
5 μm	5 μm	8/208.8	P566210	DT-9600-8-5UM
8 μm	8 μm	8/208.8	P566211	DT-9600-8-8UM
14 μm	14 μm	8/208.8	P566212	DT-9600-8-14UM
25 μm	25 μm	8/208.8	P566213	DT-9600-8-25UM
5 μm	5 μm	8/208	P566366	DT-9601-8-5UM, High collapse
14 μm	14 μm	8/208	P566367	DT-9601-8-14UM, High collapse
2 μm	<4 μm	8/209	P567875	DX2-9600-8-2UM
5 μm	5 μm	8/209	P565122	DX2-9600-8-5UM
8 μm	8 μm	8/209	P565123	DX2-9600-8-8UM
14 μm	14 μm	8/209	P564936	DX2-9600-8-14UM
WA	B>30 _(c) = 200	8/209	P569528	Absorbs 130 ml water @ 25 psid

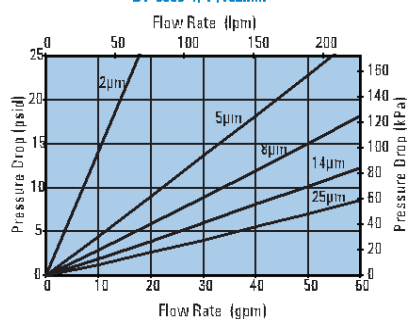


Filter Notes

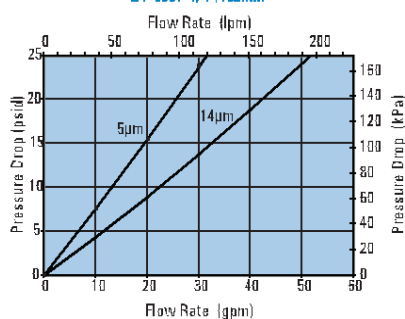
- All Donaldson DT and DX2 filters utilize glass fiber media with an epoxy-based resin system for the ultimate in chemical compatibility.
- All Donaldson DT and DX2 filters are potted with epoxy-based adhesives.
- Standard collapse DT designs are double wire-backed using epoxy-coated steel mesh for maximum pleat support and dirt capacity.
- High collapse designs are double wire-backed using stainless steel mesh.
- High collapse designs are also potted into machined aluminum endcaps for greater filter integrity in critical applications.
- Viton® seals are standard on all Donaldson DT and DX2 filters. Viton® is a registered trademark of E. I. DuPont de Nemours and Company.
- DX2 filters utilize nylon mesh for pleat support.

Performance Data

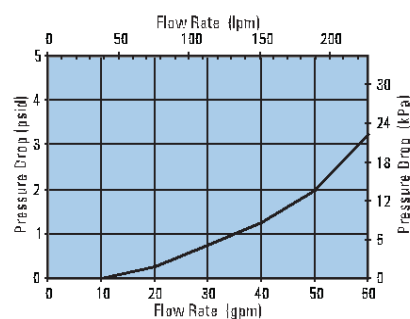
W350 4" DT Filter Only
DT-9600-4, 4"/102mm



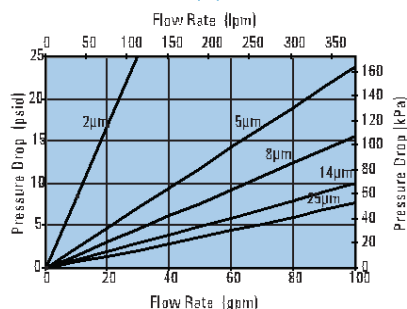
W350 4" DT Filter Only
DT-9601-4, 4"/102mm



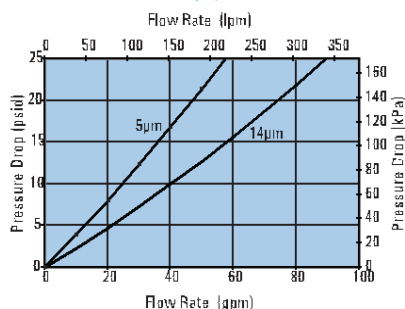
W350 Housing Only



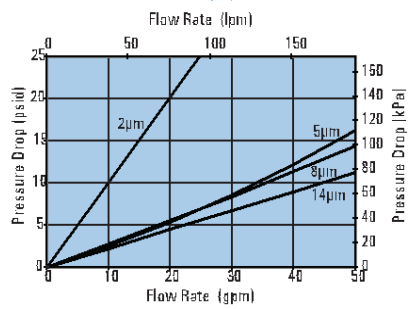
W350 8" DT Filter Only
DT-9600-8, 8"/203mm



W350 8" DT Filter Only
DT-9601-8, 8"/203mm



W350 8" DT Filter Only
DX2-9600-8, 8"/203mm





Кому:

Куда:



W350
Max Flow: 50 gpm (190 lpm)



HIGH PRESSURE FILTERS

Housing Ordering Guide

Filter Assembly	W350 TABLE 1	1 TABLE 2	B TABLE 3	1 TABLE 4	J N TABLE 5	B TABLE 6	1 TABLE 7
Service Filter	Filters ordered separately. See previous page for filter options.						

LEAD TIME NOTE:
This product is configured with the specifications and features of your choice. Please contact your Donaldson sales representative for lead time details.

Table 1

Filter Assembly	
CODE	DESCRIPTION
W350	Assembly

Table 2

Filter Collapse Options	
CODE	DESCRIPTION
1	150 psid for housing w/bypass valve
4	3000 psi for housing w/o bypass valve

Table 3

Port Size Options	
CODE	PORT SIZE
A	SAE-12 O-ring
B	SAE-16 O-ring

Table 4

Bypass Setting Options	
CODE	BYPASS SETTING
1	Non-bypass
3	25 psid
4	50 psid
6	90 psid

Note: Use option 1 code only with 3000 psid collapse filter.

Table 5 (Primary)

Indicator Style and Setting	
CODE	ΔP INDICATOR STYLE & SETTING
A	Visual indicator 70 psid w/TL & surge
B	Electrical/visual 70 psid w/TL and surge
C	Electrical/visual 15 psid
D	Electrical/visual 35 psid
E	Electrical/visual 100 psid
F	Electrical/visual 15 psid w/TL
G	Electrical/visual 35 psid w/TL
H	Electrical/visual 15 psid w/12" 3-wire flying lead
I	Visual indicator 70 psid
J	ΔP indicator plug
K	Visual indicator 15 psid
L	Visual indicator 35 psid
M	Visual indicator 35 psid w/ TL and surge
N	Electrical/visual 35 psid w/12" 3-wire flying lead
O	Visual indicator 100 psid
P	Visual indicator 100 psid w/TL and surge
Q	Electrical switch 15 psid
R	Electrical switch 35 psid
S	Electrical/visual 100 psid w/12" 3-wire flying lead
T	Electrical switch 100 psid
U	Electrical switch 70 psid
W	Electrical/visual 100 psid w/TL
X	Electrical/visual 15 psid w/TL and surge
Y	Electrical/visual 35 psid w/TL and surge
Z	Electrical/visual 100 psid w/TL and surge

TL (thermal lockout)

Table 5 (Secondary)

Receptacle Options	
CODE	ELECTRICAL STYLE
B	Brad Harrison® (5-pin)
H	Hirschmann® (4-pin)
N	None, for visual ΔP indicator

Table 6

Seal Options	
CODE	MATERIAL
B	Buna-N®
E	E.P.R.
V	Viton®

Table 7

Assembly & Filter Length	
CODE (LENGTH)	FILTER LENGTH
1 (8.5")	4.0"
2 (12.0")	8.0"

METRIC PORTING AVAILABLE

Change W350 to G350
Porting code B becomes G-1"
ISO 228 BSPP

Media Ratings

Western Filter elements have been replaced by Donaldson DT high-performance cartridges.

WESTERN MEDIA CODE	DONALDSON DT MEDIA
01	DT 2µm
03	DT 5µm
05	DT 8µm
10	DT 14µm
20	DT 25µm

For a complete filter interchange, visit crossteference.donaldson.com.

Brad Harrison® is a registered trademark of Woodhead Industries, Inc.
Hirschmann® is a registered trademark of Richard Hirschmann of America Inc.
Buna-N® and Viton® are registered trademarks of C. I. DuPont de Nemours and Co.