

VISUAL LEVEL INDICATORS



LV...

The level indicators series is available for both static and mobile applications; the construction materials used make it possible to guarantee service with wide temperature variations and compatibility with all hydraulic fluids. Series LV... level indicators are available with fixing centre distance from 76 to 1000 mm.

LVK

This level indicator series is available with electric alarm and visual and electrical temperature switches, level indicators are available with fixing centre distance from 76 to 254 mm.

LC...

LC... series sight plugs allow visibility of the fluid contained in the reservoirs, showing the level and also any changes in transparency and emulsion.

These indicators are available in three configurations, with transparent plastic body and with black body, and an aluminum body version. Fixing to reservoirs with unthreaded holes or reduced thickness can be achieved using series LCC/T equipped with expansion kit.

Temperature

- LVA: from -25° to +100°C
- LVU: from -25° to +70°C
- LVU: from -25° to +100°C (only with pyrex lens)
- LVK/LC...: from -20° to +80°C

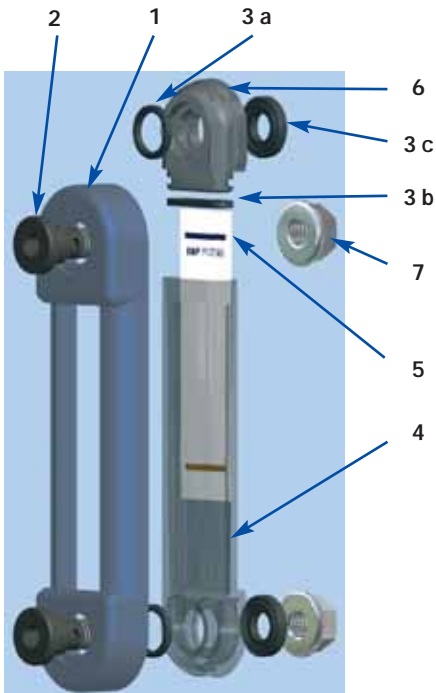
Compatibility

LVA/LVK/LVU

- NBR seals and Cork Gasket, compatible with: Mineral oils to ISO 2943 - aqueous emulsions Synthetic fluids, glycol water.
- FPM seals, compatible with: Synthetic fluids type HS-HFDR-HFDS-HFDU.

LC...

- Mineral oils to ISO 2943 - aqueous emulsions Synthetic fluids, glycol water.



LVA (Materials)

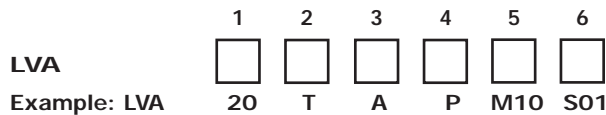
- 1 - Cover: Polyamide
- 2 - Screws: Phosphated steel
- 3 - Seals: NBR
FPM
- 4 - Lens: Polyamide
- 5 - Nameplate: Painted aluminium
- 6 - Terminal cap: Nylon
- 7 - Nuts: Galvanised steel

Quantity per pack
Number of Parts

LVA 10

Screw tightening torque: 15Nm

LVA20T.....S01



1 - Size

- 10
- 20
- 30

2 - Accessories

- S Without thermometer
- T With thermometer

3 - Seals

- A NBR
- V FPM

4 - Cover

- P Cover polyamide

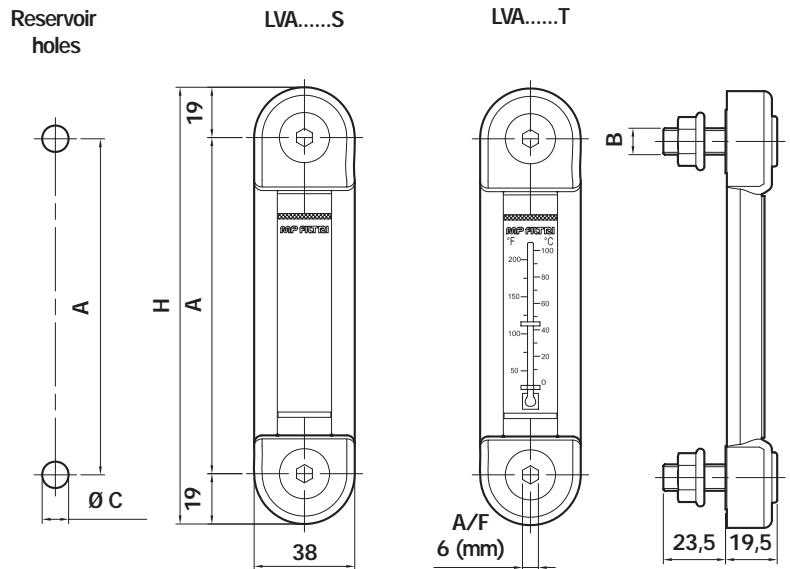
5 - Connection

- M10 Screws M10
- M12 Screws M12
- U38 Screws 3/8" UNC
- U12 Screws 1/2" UNC

6 - Options

- S01 With nuts - Tag MP Filtri
- S02 Without nuts - Tag MP Filtri

Dimensions



Size	A	H	Weight (Kg)
LVA10	76	114	0,13
LVA20	127	165	0,18
LVA30	254	292	0,23

Type	B	C
LVA.....M10	M10	10,5
LVA.....M12	M12	12,5
LVA.....U38	3/8" UNC	10
LVA.....U12	1/2" UNC	13,5

Ordering information

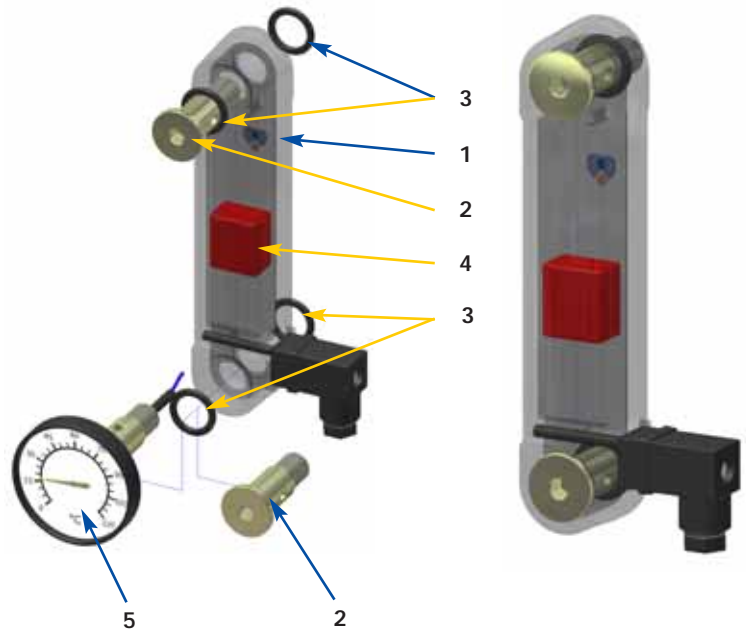
Description

Visual/electric level indicator with temperature controls for both static and mobile applications. Completely transparent, it provides a view of the fluid over the entire length, both from the front and on both sides. The quality and thickness, 4 millimetres, of the construction material provides the utmost dependability and mechanical strength without any need for additional protection.

LVK (Materials)

- 1 - Body: Polyamide
- 2 - Screws: Nickel plated brass (Standard)
AISI 316 (Option)
- 3 - Seals: NBR (Standard)
FPM (Option)
- 4 - Float: Polyamide
- 5 - Sensor thermometer: Screw + thermometer

Temperatures: from -20°C to +80°C
Screw tightening torque: 10Nm

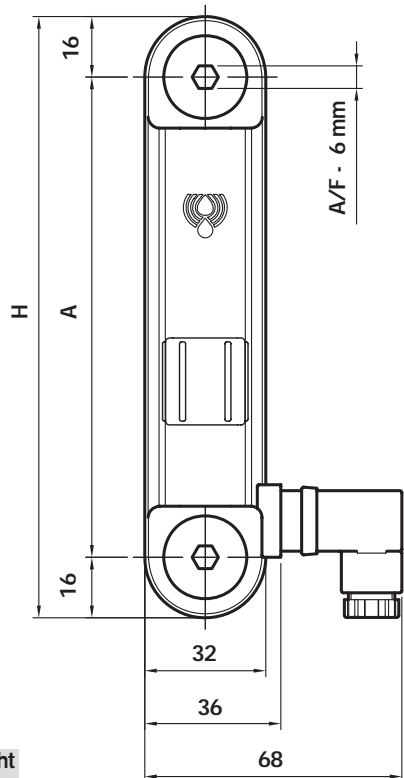
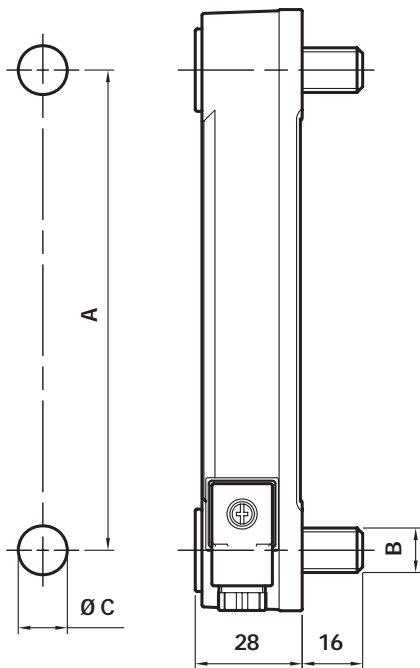


Compatibility

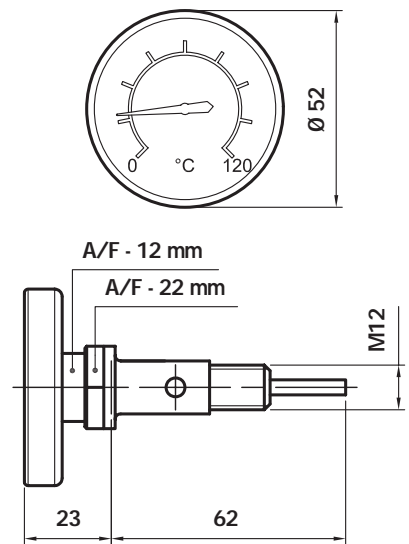
- NBR seals, compatible with:
Mineral oils to ISO 2943 - aqueous emulsions
Synthetic fluids, glycol water.
- FPM seals, compatible with:
Synthetic fluids type HS-HFDR-HFDS-HFDU.

Dimensions

Reservoir holes



Sensor thermometer



Weight (Kg)

TV12 0,100 Kit Sensor thermometer + Screw M12

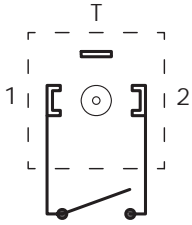
Size	A	H	Weight (Kg)
LVK10	76	108	0,14
LVK20	127	159	0,17
LVK30	254	286	0,25

Type	B	C
LVK.....M10	M10	10,5
LVK.....M12	M12	12,5

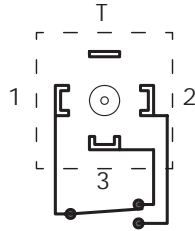
Combination of available electrical contacts

Electrical contact with no liquid

Normally open
N.O.

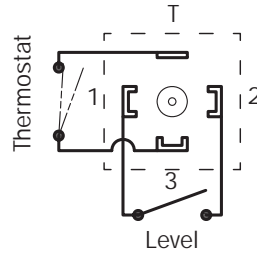


SPDT
Switch

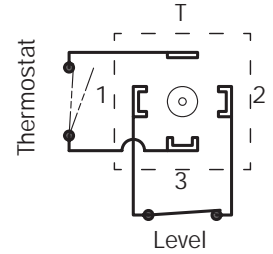


Electrical contact with no liquid + thermostat

Normally
open N.O.



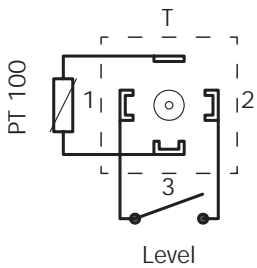
Normally
closed N.C.



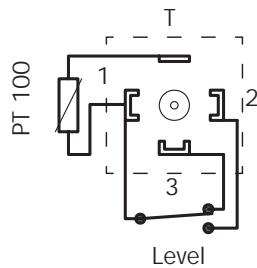
Available thermostated contact N.C. - N.O. in both setups

Electrical contact with no liquid + PT 100

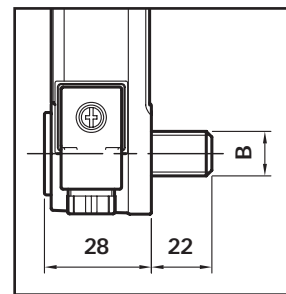
Normally
closed N.O.



SPDT
Switch



Dimension inferior screw electrical contact + thermostated or PT 100



Thermostat electrical specifications

Voltage: 250 V Switchable

Frequency: 50 Hz

Load values: 4.0 A. $\cos \varphi 0.6$ (IMOT)

6,3 A. $\cos \varphi 1$ (IN)

Max load: 10 A. $\cos \varphi 1$

Switching temperature: 50°C - 60°C - 70°C

Tolerances: $\pm 5^\circ\text{C}$

Electrical specifications

Contact with no liquid

	N.O. N.C.	Switch
D.C. Switchable Power	40 W	20 W
D.C. current intensity - A.C.	40 V.A.	-
Switchable voltage	2 A	1 A
Voltage switchable	230 V	150 V

LVK
 Example: LVK 20 A M12 1 S S P01

1 - Size

- 10**
- 20**
- 30**

2 - Seal

- A** NBR

3 - Connection

- M10** Screws M10
- M12** Screws M12 (Standard)

4 - Electrical contacts with no liquid*

- 1** N.A.
- 2** N.C.
- 3** Switch SPDT

5 - Style

- S** Standard
 - T** Thermostatted
 - P** PT 100
- } Only for connection **M12**

6 - Thermostatted

- S** Standard Without
 - 1** 50° N.A.
 - 2** 60° N.A.
 - 3** 70° N.A.
 - 5** 50° N.C.
 - 6** 60° N.C.
 - 7** 70° N.C.
- } Only for style T

7 - Options

- P01** MP Standard

* Available electrical contacts see page 49

Accessories/Options*

TV12	Kit w/ Sensor thermometer Screw M12
M10 X	Kit w/ Screws M10 stainless steel AISI 316
M12 X	Kit w/ Screws M12 stainless steel AISI 316
O2050432	Kit w/ FPM seals

* All the accessories are supplied separately from code LVK

.....

.....

.....

.....

.....

.....

.....

.....

.....

.....

.....

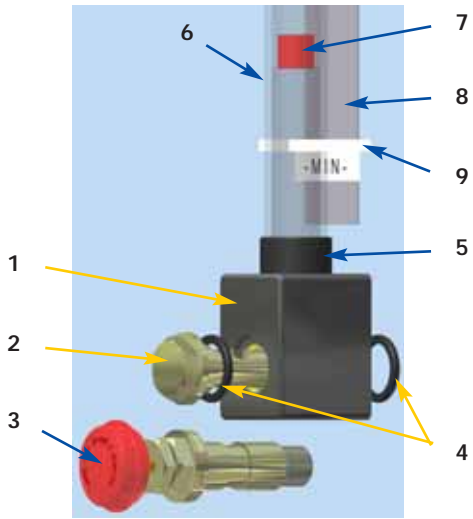
.....

.....

.....

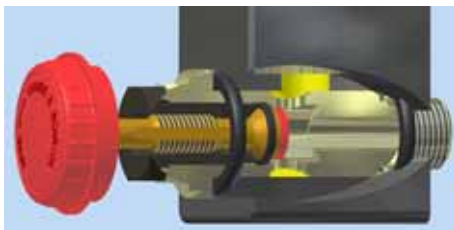
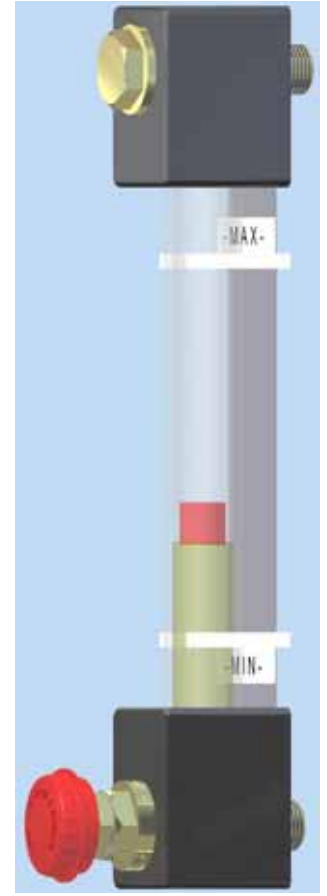
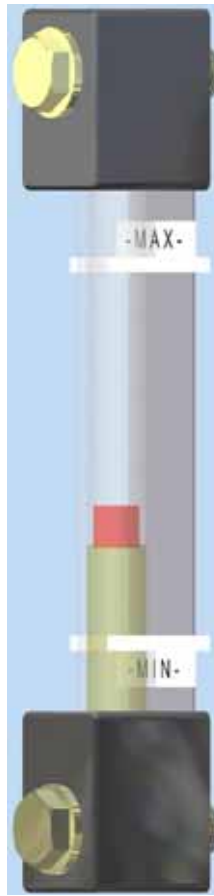
.....

.....



LVU (Materials)

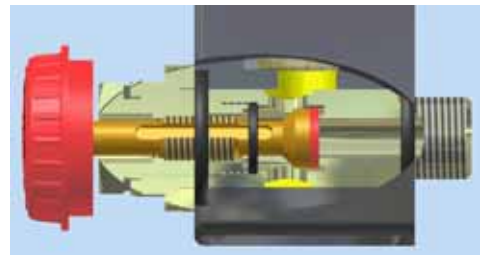
- 1 - Head: Nylon
- 2 - Connection G 3/8": Nickel plated brass
- 3 - G 3/8" valve: Steel
- 4 - Seal: NBR
- 5 - Pipe Seal: NBR
- 6 - Pipe: Acrylic
Pyrex
- 7 - Float: Nylon
- 8 - Protection: Aluminium
- 9 - Clamps MIN - MAX: Nylon



Open the valve completely.

Allows the oil to flow from the reservoir to the level tube.

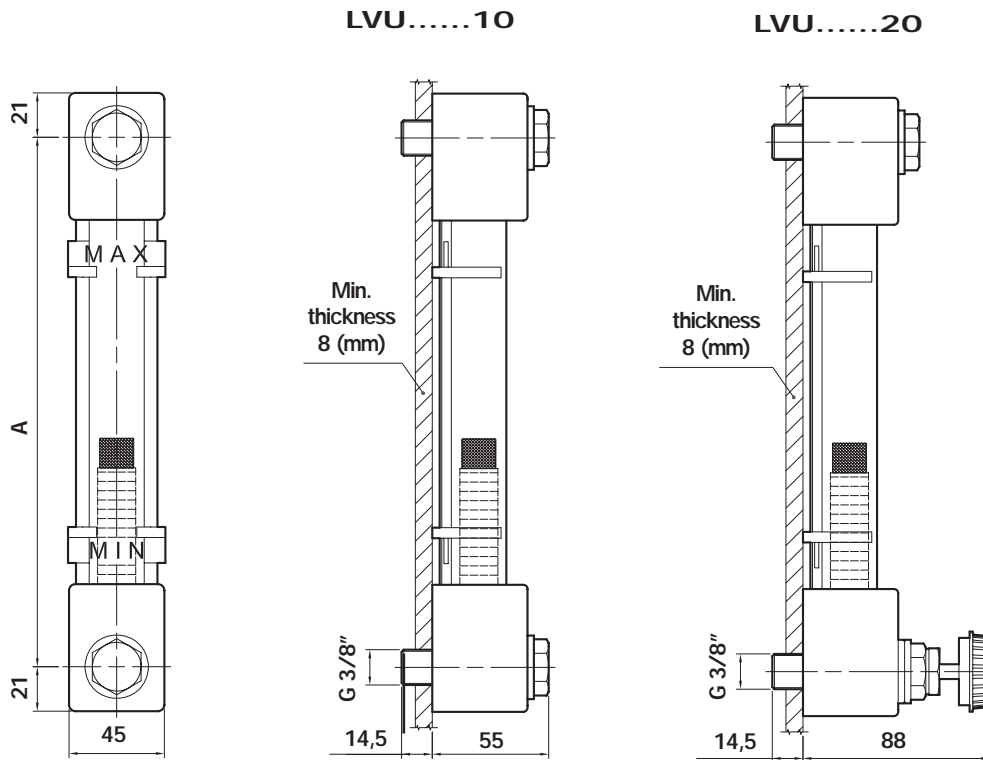
ATTENTION - The intermediate valve opening or closing position allows the oil to flow from the reservoir to the exterior.



Close the valve fully.

Stops the oil flow from the reservoir to the level tube.

Allows the oil to be discharged from the level tube to an external container.



LVU spare parts

Pos.	Description	Q. ty	LVU
1	Seals kit	1	02050130
4	O-Ring	4	OR 4181 Ø 20,22 x 3,53
2	Fixing element kit series 10	1	02049014
2	G 3/8" connection	2	
3	Fixing element kit series 20	1	02049015
2	G 3/8" connection	1	
3	G 3/8" bibcock	1	

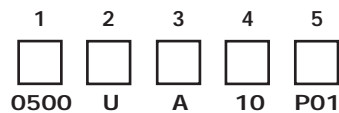
Weights	Version U (Kg)	Version S (Kg)
0500	0,780	0,580
1000	1,150	0,790
1500	1,550	1,100
2000	1,950	1,400

Size	A (mm)
0500	500
1000	1000
1500	1500
2000	2000

Ordering information

Visual level indicator series LVU

Example: LVU



1 - Size

0500	Dimension "A" in mm
1000	Dimension "A" in mm
1500	Dimension "A" in mm
2000	Max. dimension "A" in mm
XXXX	Dimension "A" in mm (on request)

2 - Variants

S	Standard
U	"U" protection
P	"U" protection + Pyrex lens (max size 1500)

3 - Seal

A	NBR
---	-----

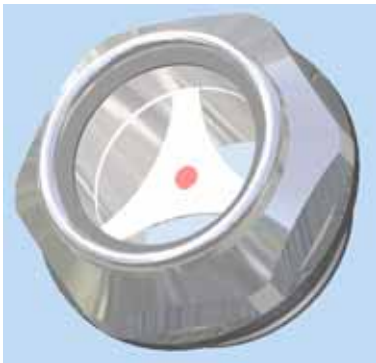
4 - Filter

10	2 G 3/8" connections
20	1 G 3/8" connection + 1 valve

3 - Options

P01	MP Standard
-----	-------------

Series LCP***M

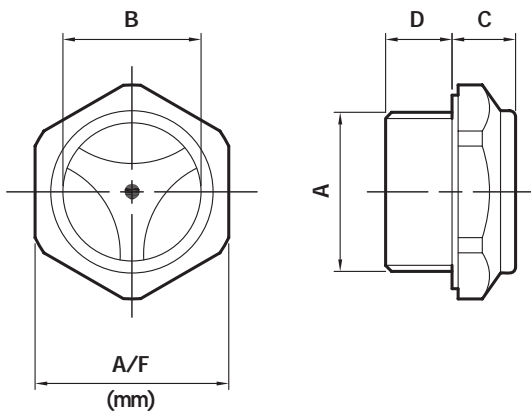


LCP***M** (Materials)

- 1 - Body: Aluminium
- 2 - Lens: Thermoplastic
- 3 - Contrast screen: Nylon
- 4 - Seal: Inorganic fibre

Dimensions

LCP***M**



Size	A	B	C	D	A/F (mm)
G20	G 1/2"	16	9	10	27
G26	G 3/4"	20	10	12	32
G33	G 1"	25	11	14	40

N.B. Seals thickness 2 mm.
Recommended tightening torque 10÷15 Nm.

Spare parts

Size	Seal Inorg. fibre
G20	1.026.902
G26	1.026.903
G33	1.026.905

Ordering information

Threaded sight plug

LCP***M

Example: LCP

1 - Size

G20	G 1/2"
G26	G 3/4"
G33	G 1"

2 - Material

M	Metal (Aluminium)
---	-------------------

1	2	3	4	5
<input type="checkbox"/>	<input type="checkbox"/>	<input type="checkbox"/>	<input type="checkbox"/>	<input type="checkbox"/>
G20	M	C	B	P01

3 - Accessories

C	Baffle
---	--------

4 - Seal

B	Inorganic fibre
---	-----------------

3 - Options

P01	MP Standard
-----	-------------

Quantity per pack
Number of Parts

LCP/M	25
-------	----



Standard view



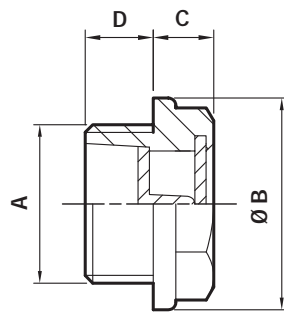
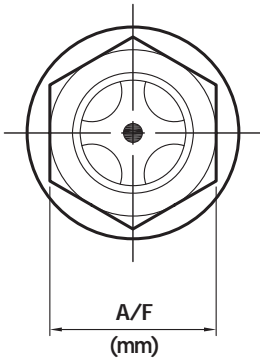
With view contrast and Expansion kit

LCP***N***** (Materials)

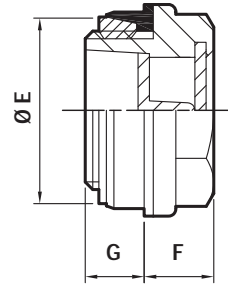
- 1 - Body: Nylon
- 2 - Lens: Thermoplastic
- 3 - Contrast screen: Nylon
- 4 - Seals: NBR
Inorganic fibre
- 5 - Expansion kit: Brass - NBR

Dimensions

LCP***N**S



LCP***N**K



Size	A	Ø B	C	D	A/F (mm)	Ø E	F	G
G13	G 1/4"	20	7	9	17	-	-	-
G16	G 3/8"	22	8	9	18	19,5	9,2	7,8
G20	G 1/2"	28	8	9	22	25,5	9,2	7,8
G26	G 3/4"	35	9	10	27	29,5	10,5	8,5
G33	G 1"	42	11,5	12,5	34	39	13	11
G42	G 1 1/4"	52	12	13	42	49	13,5	11,5
G48	G 1 1/2"	58	14	13	47	54	15,5	11,5
G60	G 2"	74	14	20	64	-	-	-

Spare parts

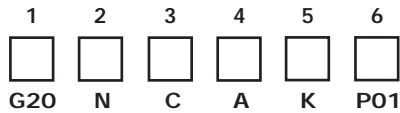
Size	Expansion kit
-	-
G16	2026020
G20	2026021
G26	2026019
G33	2026023
G42	2026025
G48	2026026
-	-

N.B. Recommended tightening torque 10 Nm.

Ordering information

Threaded sight plug LCP***N

Example: LCP



1 - Size

G13	G 1/4"
G16	G 3/8"
G20	G 1/2"
G26	G 3/4"
G33	G 1"
G42	G 1 1/4"
G48	G 1 1/2"
G60	G 2"

2 - Material

N Black nylon

3 - Accessories

S Standard view (G13 only)

C Baffle

4 - Seal

A NBR (only K)

B Inorganic fibre

Quantity per pack
Number of Parts

LCP/N 25

Ø hole for Expansion kit

Size	Diameter
G16	Ø 20
G20	Ø 26
G26	Ø 30
G33	Ø 40
G42	Ø 50
G48	Ø 55

5 - Expansion kit

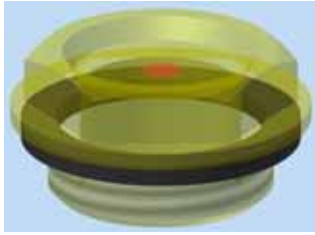
S Without

K Expansion kit (for except G13)

6 - Options

P01 MP Standard

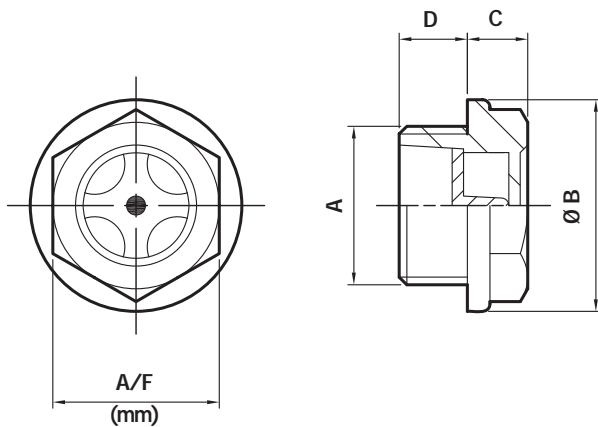
Series LCP***T



- LCP***T** (Materials)
- 1 - Body: Polyamide
 - 2 - Contrast screen: Nylon
 - 3 - Seal: NBR

Dimensions

LCP***T**



Size	A	Ø B	C	D	A/F (mm)
G13	G 1/4"	19	4,5	7	15
G16	G 3/8"	21,7	5	7,5	17
G20	G 1/2"	27	5,5	8	21
G26	G 3/4"	32,8	6	9	26
G33	G 1"	39,8	6,5	10	32
G42	G 1 1/4"	52	12	13	42

N.B. Seals thickness 2 mm.
Recommended tightening torque 10 Nm.

Ordering information

Threaded sight plug

LCP*T**

Example: LCP

	1	2	3	4	5
	<input type="checkbox"/>	<input type="checkbox"/>	<input type="checkbox"/>	<input type="checkbox"/>	<input type="checkbox"/>
	G20	T	S	A	P01

1 - Size

<input type="checkbox"/> G13	G 1/4"
<input type="checkbox"/> G16	G 3/8"
<input type="checkbox"/> G20	G 1/2"
<input type="checkbox"/> G26	G 3/4"
<input type="checkbox"/> G33	G 1"
<input type="checkbox"/> G42	G 1 1/4"

2 - Material

<input type="checkbox"/> T	Polyamide
----------------------------	-----------

3 - Accessories

<input type="checkbox"/> S	Without baffle
<input type="checkbox"/> C	Baffle (G26-G33-G42 only)

4 - Seal

<input type="checkbox"/> A	NBR
----------------------------	-----

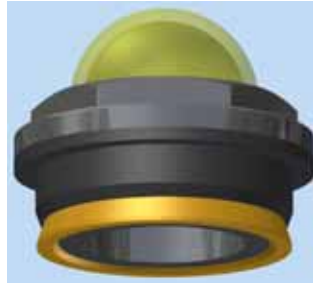
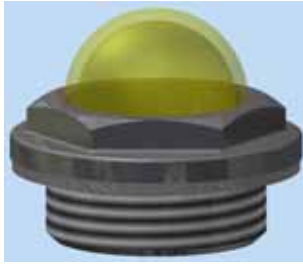
5 - Options

<input type="checkbox"/> P01	MP Standard
------------------------------	-------------

Quantity per pack
Number of Parts

LCP/T 25

Series LCC***N

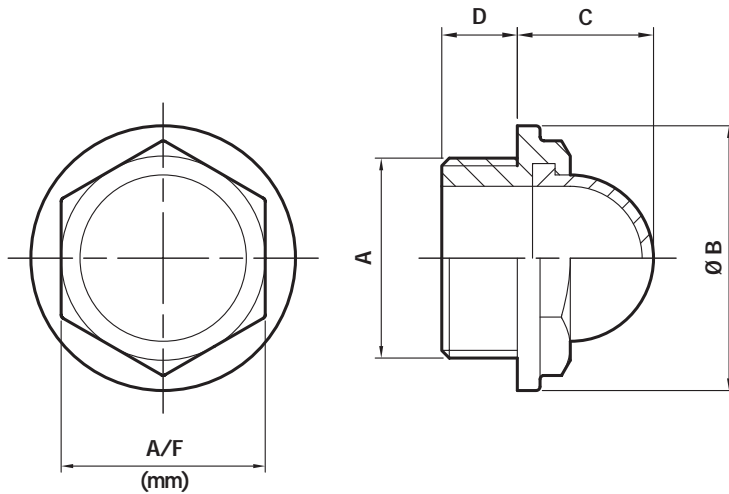


LCC***N***** (Materials)

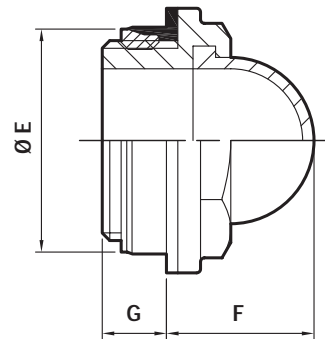
- 1 - Body: Nylon
- 2 - Lens: Polyamide
- 3 - Contrast screen: Nylon
- 4 - Seals: NBR
Inorganic fibre
- 5 - Expansion kit: Brass - NBR

Dimensions

LCC***N***S



LCC***N***K



Size	A	ØB	C	D	A/F (mm)	ØE	F	G
G20	G 1/2"	28	15,5	9,5	22	25,5	16,7	8,3
G26	G 3/4"	35	18	10	27	29,5	19,5	8,5
G33	G 1"	42	22	12	34	39	23,5	10,5
G42	G 1 1/4"	52	28	13	44	49	29,5	11,5
G48	G 1 1/2"	58	31	13,5	50	54	32,5	12
G60	G 2"	74	37	20	64	-	-	-

Spare parts

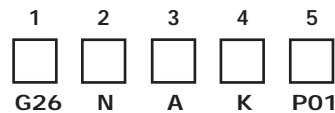
Size	Expansion kit
G20	2026021
G26	2026019
G33	2026023
G42	2026025
G48	2026026
-	-

N.B. Seals thickness 2 mm.
Recommended tightening torque 10 Nm.

Ordering information

Threaded sight plug LCC***N

Example: LCC



1 - Size

G20	G 1/2"
G26	G 3/4"
G30	G 7/8"
G33	G 1"
G42	G 1 1/4"
G48	G 1 1/2"
G60	G 2"

2 - Material

N	Black nylon
---	-------------

3 - Seal

A	NBR (K only)
B	Inorganic fibre

4 - Expansion

S	Without
K	Expansion kit

5 - Options

P01	MP Standard
-----	-------------

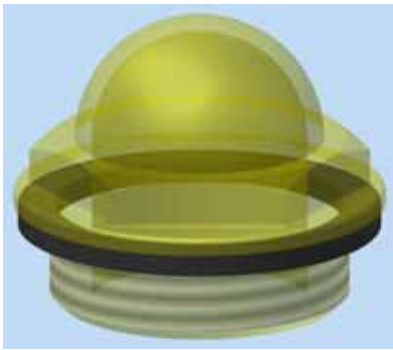
Quantity per pack
Number of Parts

LCC/N 25

Ø hole for Expansion kit

Size	Diameter
G20	Ø 26
G26	Ø 30
G33	Ø 40
G42	Ø 50
G48	Ø 55

Series LCC***T

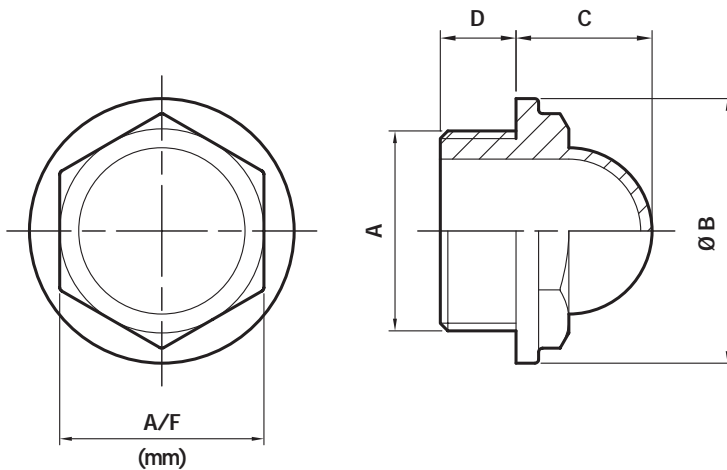


LCC***T** (Materials)

- 1 - Body: Polyammide
- 2 - Seal: NBR

Dimensions

LCC***T**



Size	A	Ø B	C	D	A/F (mm)
G13	G 1/4"	19	10,5	7	15
G16	G 3/8"	21,7	12	7,5	17
G20	G 1/2"	27	14,5	8	21
G26	G 3/4"	32,8	17	9	26
G33	G 1"	39,8	20,5	10	32

N.B. Seals thickness 2 mm.
Recommended tightening torque 10 Nm.

Ordering information

Threaded
sight
plug
LCC***T

Example: LCC

1 - Size

G13	G 1/4"
G16	G 3/8"
G20	G 1/2"
G26	G 3/4"
G33	G 1"

2 - Material

T	Polyammide
---	------------

1	2	3	4
<input type="checkbox"/>	<input type="checkbox"/>	<input type="checkbox"/>	<input type="checkbox"/>
G20	T	A	P01

3 - Seal

A	NBR
---	-----

4 - Options

P01	MP Standard
-----	-------------

Quantity per pack
Number of Parts

LCC/T 25