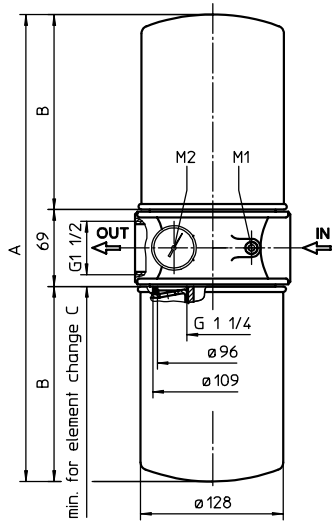
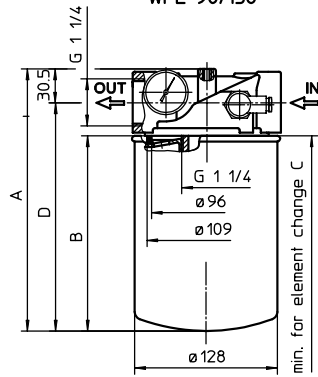


SPIN-ON FILTER
Series **WPL 45-260 DN 20-40 PN 10**

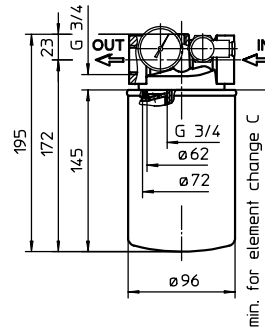
WPL 180/260



WPL 90/130



WPL 45



1. Type index:

1.1. Complete filter: (ordering example)

WPL. 90. 10P. R. E1. - . - . -

1	2	3	4	5	6	7	8
---	---	---	---	---	---	---	---

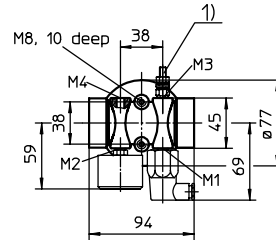
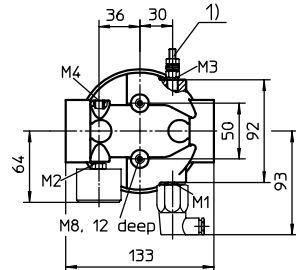
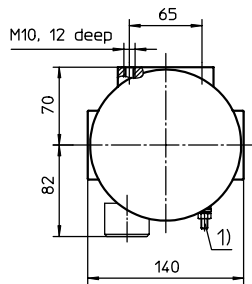
1.2. Filter element: (ordering example)

WP. 90. 10P

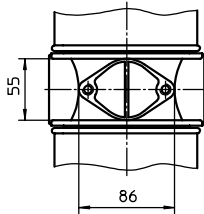
1	2	3
---	---	---

- 1 series:**
WPL = spin-on filter
- 2 nominal size:** 45, 90, 130, 180, 260
- 3 filter-fineness and filter-material:**
10 P = 10 µm paper
10 VG = 10 µm_(c) Interpor fleece (glass fibre) WPL 45/90/180
- 4 internal valve:**
- = without (WPL 45/90/130)
S = by-pass valve suction filter Δp 0,28 bar
R = by-pass valve pressure filter Δp 2,0 bar
- 5 measuring connection M1:**
- = without clogging indicator
O = clogging indicator visual, see sheet-no. 1616
E1 = pressure switch, see sheet-no. 1616
E2 = pressure switch, see sheet-no. 1616
E5 = pressure switch, see sheet-no. 1616
PA = potential equalisation
- 6 measuring connection M2:**
- = without clogging indicator
O1 = clogging indicator visual, see sheet-no. 1616
E4 = pressure switch, see sheet-no. 1616
PA = potential equalisation
- 7 measuring connection M3:**
possible indicators see position 5 of the type index (WPL 45/90/130)
- 8 measuring connection M4:**
possible indicators see position 6 of the type index (WPL 45/90/130)

- 1 series:**
WP = spin-on cartridge for in-line filter
- 2 nominal size:** 45, 90, 130
WPL 180 = 2x NG 90
WPL 260 = 2x NG 130
- 3 filter-fineness and filter-material:**
10 P = 10 µm paper
10 VG = 10 µm_(c) Interpor fleece (glass fibre),
WPL 45/90/180



view X



measuring connection M1/M2/M3/M4 = thread R 1/8"

1) connection for the potential equalisation, only for application in the explosive area

Dimensions:

type	A	B	C	D	weight kg
WPL 90	235	175	195	205	1,70
WPL 130	285	225	245	255	2,10
WPL 180	419	175	195	-	3,25
WPL 260	519	225	245	-	4,00

2. Description:

In-line filter series WPL and WP-spin-on-cartridges are suitable for an operating pressure up to 10 bar. They are appointed for mounting into pressure lines and return lines. the spin-on-cartridges, e.g. are directly screwed to hydrostatic drives. These series allow an easy maintaining with short operating interruption. After pollution the complete spin-on-cartridges has to be changed. The WPL-filter can alternatively be equipped with pressure switch and/or pressure gauge. The serie can be used for all mineral oils (hydraulic- and lubrication oils).

3. Technical data:

temperature range: - 10 °C to + 110 °C
operating medium: mineral oil, other media on request
max. operating pressure: 10 bar
test pressure: 13 bar
opening pressure by-pass valve for pressure filter: Δp 2,0 bar
opening pressure by-pass valve for suction filter: Δp 0,28 bar
pressure switch: Δp 1,5 bar see sheet-no. 1616
pressure switch: Δp 0,25 bar see sheet-no. 1616
gaskets: Nitrile (NBR)

Classified under the Pressure Equipment Directive 97/23/EC for mineral oil (fluid group 2), Article 3, Para. 3.
Classified under ATEX Directive 94/9/EC according to specific application (see questionnaire sheet-no. 34279-4).

4. Pressure drop flow curves:

Precise flow rates see 'INT-Expert-System Filter', respectively Δp-curves; depending on filter fineness and viscosity.

5. Test methods:

Filter elements are tested according to the following ISO standards:

ISO 2941	Verification of collapse/burst resistance	ISO 3724	Verification of flow fatigue characteristics
ISO 2942	Verification of fabrication integrity	ISO 3968	Evaluation of pressure drop versus flow characteristics
ISO 2943	Verification of material compatibility with fluids	ISO 16889	Multi-pass method for evaluating filtration performance
ISO 3723	Method for end load test		

Changes of measures and design are subject to alteration!



Friedensstrasse 41, 68804 Altlusheim, Germany

phone +49 - (0)6205 - 2094-0 e-mail sales@internormen.com
fax +49 - (0)6205 - 2094-40 url www.internormen.com

