



Кому:

Куда:



FIK

Max Flow: 170 gpm (639 lpm)



FIK In-Tank Filters

Working Pressures to: 145 *psi*
1000 kPa
10 bar

Rated Static Burst to: 217 *psi*
1500 kPa
15 bar

Flow Range to: 170 *gpm*
639 *lpm*

Features

FIK in-tank filters are economical, space-saving units with simple screw-on covers, ideal for low pressure in-tank applications. This is a heavy-duty filter, with a die cast aluminum head and a steel or nylon canister. The head (and inlet) sit above the tank, with the housing in the tank. Filter flow is outside to inside. Three service indicators are available: pressure gauge, visual indicator, and electrical indicator. Optional air breathers are also available. FIK filter assemblies are provided from the factory with cellulose or Synteq™ filter media. Replacement cartridges are offered in a range of media types and performance ratings.



Beta Rating

- Performance to $\beta_{8(c)}=1000$

Porting Size Options

- 1/2", 3/4", 1" NPT
- SAE-8,-12,-16,-20,-24 O-ring
- 2" SAE 4-Bolt Flange Code 61

Standard Bypass Ratings

- 22 *psi* / 150 kPa / 1.5 bar

Operating Temperatures

- -4°F to 194°F / -20°C to 90°C

Collapse Ratings

- 145 *psid* / 1000 kPa / 10 bar



Кому:

Куда:



FIK

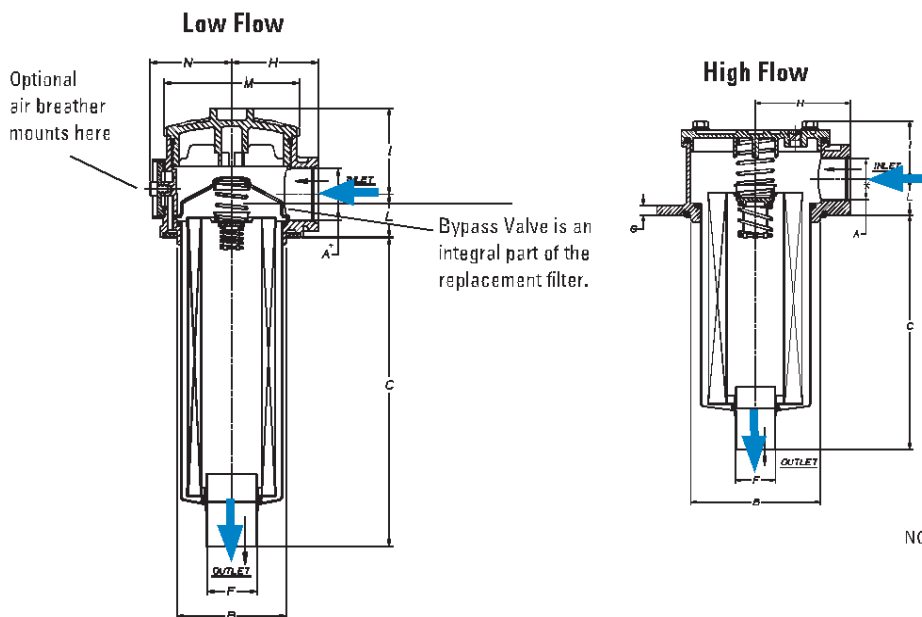
Max Flow: 170 gpm (639 lpm)



LOW PRESSURE FILTERS

SP15/25 Specification Illustrations

Assembly - Side View



Applications:

- Return Lines
- Side Loop Systems
- Fluid Conditioning Systems
- Process Systems
- Cooling Circuits
- Lube Oil Systems

NOTE: * For "A" dimensions see next page.

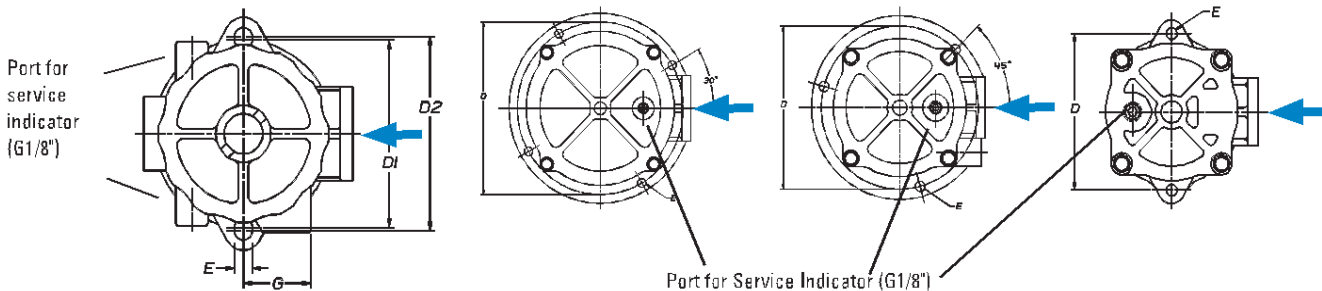
Head - Top View

FIK-030319, FIK-040811, FIK-040812, FIK-040813,

FIK-070248, FIK-070249, FIK-070250, FIK-071001, FIK-071002, FIK-071003

FIK-051204, FIK-052053

FIK-040799, FIK-041771, FIK-041772, FIK-041773, FIK-041774, FIK-041769, FIK-041770



FIK Model	K030319		K040811		K040812		K040813		K031027		K041769 K041770		K040799 K041771 K041772 K041773 K041774		K051204 K052053		K070248 K071001		K070249 K071002		K070250 K071003	
	in.	mm	in.	mm	in.	mm	in.	mm	in.	mm	in.	mm	in.	mm	in.	mm	in.	mm	in.	mm	in.	mm
B	2.4	60	3.4	86	3.4	86	3.4	86	2.6	67	3.5	90	3.54	90	5.2	131	6.9	175	6.8	174	6.8	174
C	7.2	184	4.1	104	5.9	150	9.3	235	3.1	78	3.9	100	5.7	145	ø	230	9.5	242	11.7	297	15.9	405
D1	3.3	84	4.4	112	4.4	112	4.4	112	3.54	90	4.53	115	4.52	115	6.9	175	8.56	220	8.66	220	8.66	220
D2	3.46	88	4.56	116	4.56	116	4.56	116	NA	NA	NA	NA	NA	NA	NA	NA	NA	NA	NA	NA	NA	NA
E	0.4	10	0.43	11	0.43	11	0.43	11	0.25	6.4	0.33	8.4	0.33	8.4	0.4	10.5	0.4	10.5	0.4	10.5	0.4	10.5
F	0.87	22	1.1	28	1.1	28	1.6	40	1.0	25	1.1	28	1.1	28	1.57	40	1.97	50	2.5	63.5	2.5	63.5
G	NA	NA	0.47	42	0.47	42	0.47	42	0.35	9	0.39	10	0.4	10	0.4	10	0.4	10	0.4	10	0.4	10
H	1.9	48	2.67	68	2.67	68	2.67	68	1.9	49	2.6	66	2.5	66	3.7	95	4.7	119	4.7	119	4.7	119
I	1.85	47	2.56	65	2.56	65	2.56	65	1.2	30	1.7	43	1.7	43	2.1	53	2.5	64	2.5	64	2.5	64
L	0.82	21	1.26	32	1.26	32	1.26	32	0.87	22	1.1	28	1.1	28	1.4	36	1.6	41	1.5	41	1.5	41
M	2.9	74	4.2	106	4.2	106	4.2	106	NA	NA	NA	NA	NA	NA	NA	NA	NA	NA	NA	NA	NA	NA
N	2.4	60	3.4	86	3.4	86	3.4	86	NA	NA	NA	NA	NA	NA	NA	NA	NA	NA	NA	NA	NA	NA
Weight	lbs	kg	lbs	kg	lbs	kg	lbs	kg	lbs	kg	lb	kg	lb	kg	lbs	kg	lbs	kg	lbs	kg	lbs	kg
	1.8	0.8	2.1	0.95	3.2	1.45	4.1	1.86	1.1	0.5	1.8	0.8	2.1	0.95	7.0	3.2	10.0	4.5	13.1	5.9	18.6	8.4



Кому:

Куда:



FIK

Max Flow: 170 gpm (639 lpm)



FIK Components Assemblies & Service Part Choices

Port Size	Bypass Rating*	FIK Assembly Number	Bx(c) = 1000 Rating	Filter Media	Provided with this Filter	Filter Diameter (in./mm)	Filter Length (in./mm)	Flow Range (@-5 psid / 34.5 kPa)
SAE 8 O-Ring	22 psi/1.5 bar	K030319	36 µm	Cellulose	P171839	1.69 / 43	6.38 / 162	10 gpm / 38 lpm
SAE 12 O-Ring	22 psi/1.5 bar	K040811	36 µm	Cellulose	P171527	2.76 / 70	3.23 / 82	14 gpm / 53 lpm
SAE 16 O-Ring	22 psi/1.5 bar	K040812	36 µm	Cellulose	P171533	2.76 / 70	5.04 / 128	23 gpm / 86 lpm
SAE 20 O-Ring	22 psi/1.5 bar	K040813	36 µm	Cellulose	P171840	2.76 / 70	8.27 / 210	32 gpm / 120 lpm
1/2" NPT	22 psi/1.5 bar	K031027	36 µm	Cellulose	P171503	2.05 / 52	2.64 / 67	5 gpm / 18 lpm
SAE 12 O-Ring	22 psi/1.5 bar	K041769	11 µm	Synteq	P171525	2.76 / 70	3.23 / 82	9.5 gpm / 36 lpm
1" NPT	22 psi/1.5 bar	K041770	36 µm	Cellulose	P171527	2.76 / 70	3.23 / 82	15 gpm / 56 lpm
SAE 12 O-Ring	22 psi/1.5 bar	K041773	36 µm	Cellulose	P171533	2.76 / 70	5.04 / 128	18 gpm / 68 lpm
SAE 12 O-Ring	22 psi/1.5 bar	K041774	11 µm	Synteq	P171531	2.76 / 70	5.04 / 128	13 gpm / 49 lpm
3/4" NPT	22 psi/1.5 bar	K041771	36 µm	Cellulose	P171533	2.76 / 70	5.04 / 128	18 gpm / 68 lpm
SAE 16 O-Ring	22 psi/1.5 bar	K040799	36 µm	Cellulose	P171533	2.76 / 70	5.04 / 128	21 gpm / 79 lpm
1" NPT	22 psi/1.5 bar	K041772	36 µm	Cellulose	P171533	2.76 / 70	5.04 / 128	21 gpm / 79 lpm
SAE 20 O-Ring	22 psi/1.5 bar	K051204	36 µm	Cellulose	P171539	3.74 / 95	7.49 / 203	47 gpm / 177 lpm
SAE 20 O-Ring	22 psi/1.5 bar	K052053	11 µm	Synteq	P171537	3.74 / 95	7.49 / 203	32 gpm / 120 lpm
SAE 24 O-Ring	22 psi/1.5 bar	K070248	36 µm	Cellulose	P171557	5.51 / 140	7.49 / 203	66 gpm / 248 lpm
SAE 24 O-Ring	22 psi/1.5 bar	K071001	11 µm	Synteq	P171555	5.51 / 140	7.49 / 203	44 gpm / 165 lpm
2" SAE 4-Bolt	22 psi/1.5 bar	K070249	36 µm	Cellulose	P171575	5.51 / 140	9.84 / 250	106 gpm / 399 lpm
2" SAE 4-Bolt	22 psi/1.5 bar	K071002	11 µm	Synteq	P171573	5.51 / 140	9.84 / 250	74 gpm / 278 lpm
2" SAE 4-Bolt	22 psi/1.5 bar	K070250	36 µm	Cellulose	P171581	5.51 / 140	15.75 / 400	170 gpm / 639 lpm
2" SAE 4-Bolt	22 psi/1.5 bar	K071003	11 µm	Synteq	P171579	5.51 / 140	15.75 / 400	120 gpm / 451 lpm

Note

* Bypass valve is an integral part of the replacement filter.
Service indicator port available for all assemblies.

Filter Notes

- FIK filters utilize either glass fiber, cellulose, or wire mesh media.
- All FIK filters are potted with polyurethane adhesives.
- Synteq media designs are double wire-backed using epoxy-coated steel mesh for maximum pleat support and dirt capacity.
- Buna-N® seals are standard on all FIK filters. Buna-N® is a registered trademark of E. I. DuPont de Nemours and Company.